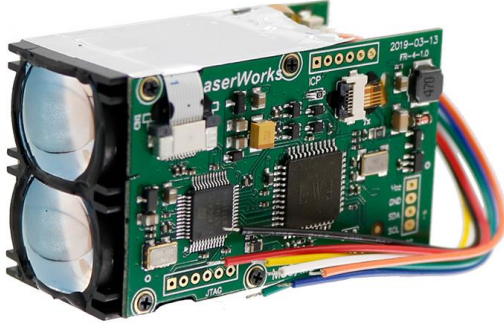


2km Laser Range Finder Module



The LRF module has a single measurement mode only one measurement, continuous measurement mode, according to the selected sampling frequency return continuous results.

The measurement range is up to 1800M (Forest)

The sampling frequency is 1Hz

Measuring accuracy (0.5m)

TTL Serial communication UART (BautRate=600-19200)

All instructions are in hexadecimal format

JIOPTICS® Mini laser ranging module provides reliable range feedback and TTL serial output. Suitable for custom product integration, especially for thermal imaging, night vision, EVA, digital scope and other product integration. Welcome to buy 2km Laser Range Finder Module from us.

JIOPTICS® 2km Laser Range Finder Module Introduction

The M18X is a classic outdoor long-range laser rangefinder module. Measuring range up to 1800 meters, low power consumption, stable performance, up to industrial and military standards. The compact, eye safe, highly integrated laser rangefinder module is used for with multi-functional systems such as UAV pods, thermal imaging, ranging scopes and more.

Product Parameter (Specification)

Model Name	M18X
Measuring Distance	5~2800m(Typ.) Forest : 5~1800m,Small target: 5~1200m
Resolution	0.1 mm
Frequency	1 Hz
Wavelength	905 nm
Divergence	5 mrad/2.5 mrad (customizable)
Communication Interface	Standard: TTL (UART) Option: USB (TTL-USB converter)
Communication Signal	TTL output

Input Voltage	3 ~ 5 V
Operating Current	80mA ~ 150mA
Laser Safety	Class 1
Power Consumption	<1 mW
Operating Temperature	-20 ~ 50 °C
Dimension	58.61 x 30.2 x 32.6 mm
Weight	≤35 g

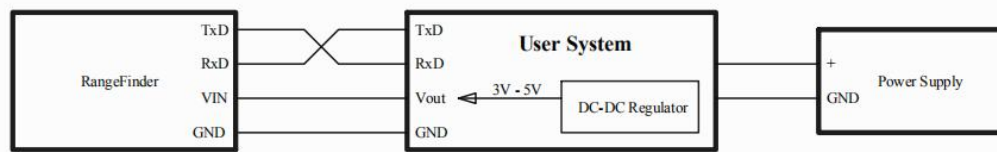


Figure 1 Connect With TTL

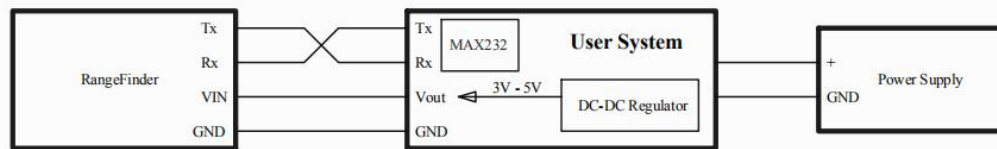
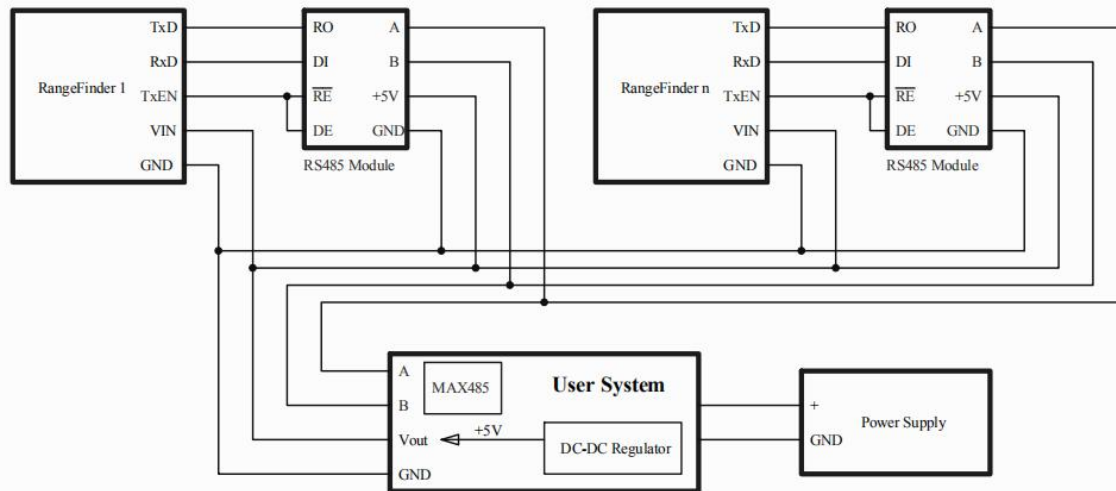


Figure 2 Connect With RS232



Product Feature And Application

M18X Long laser ranging module for target measurement performance

Typical targets (80% reflectance) measurement range ≥2.8km

Large white wall ≥2km

JIOPTICS

www.jioptics.com

Forest (15% reflectivity) measurement range $\geq 1.8\text{km}$
Small target measurement range $\geq 1\text{km}$

OEM ranging modules and custom solutions

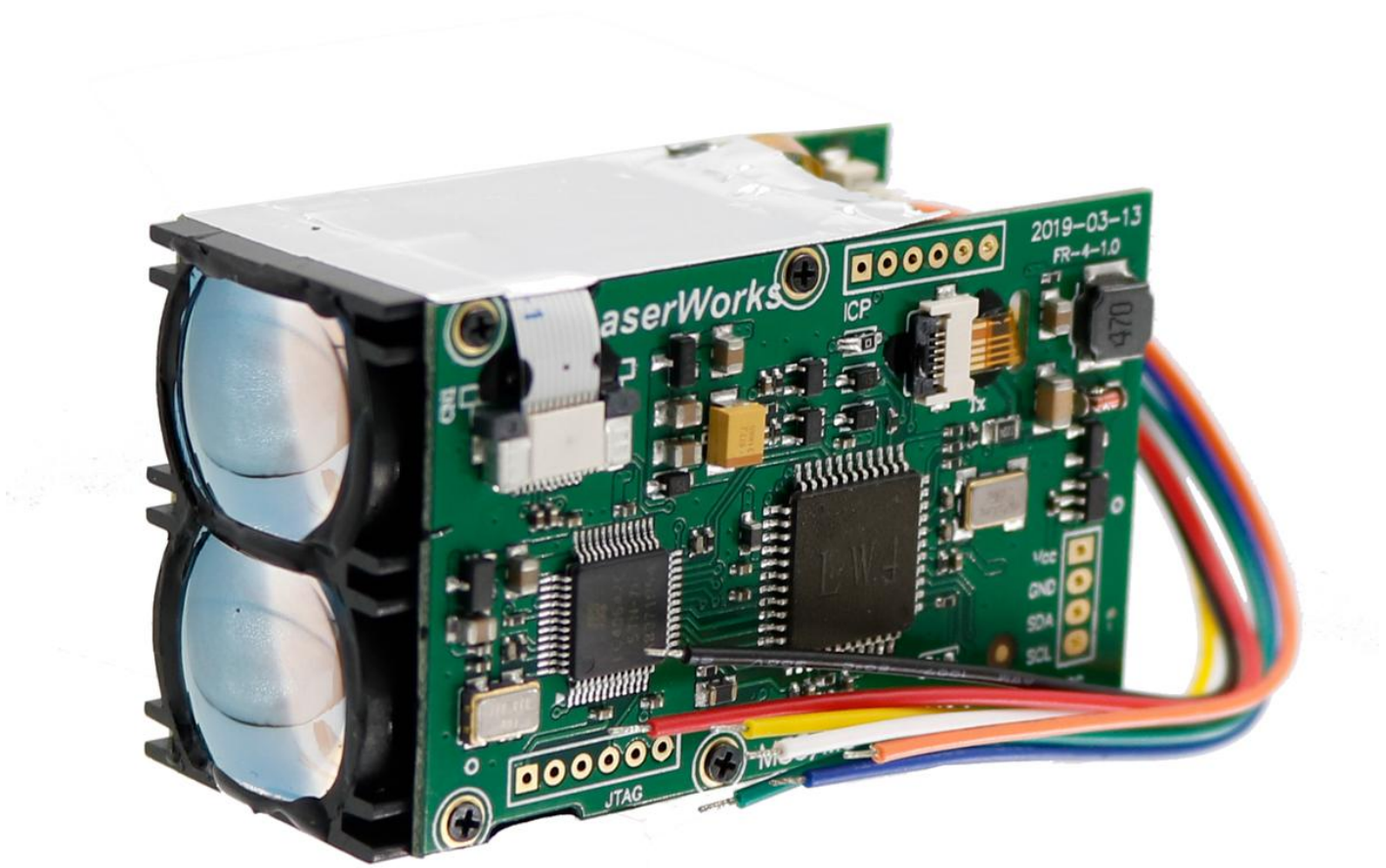
The M18X is designed for system integrators looking for a convenient, powerful and compact laser ranging solution. It provides reliable performance in a wide range of applications.

It is very small, ultra-light, has low power consumption, and measures long distances. It is suitable for handheld devices (thermal imaging), weapon mounting applications, portable systems and lightweight sensor suites and unmanned aerial vehicles or UGVs.

Product Details

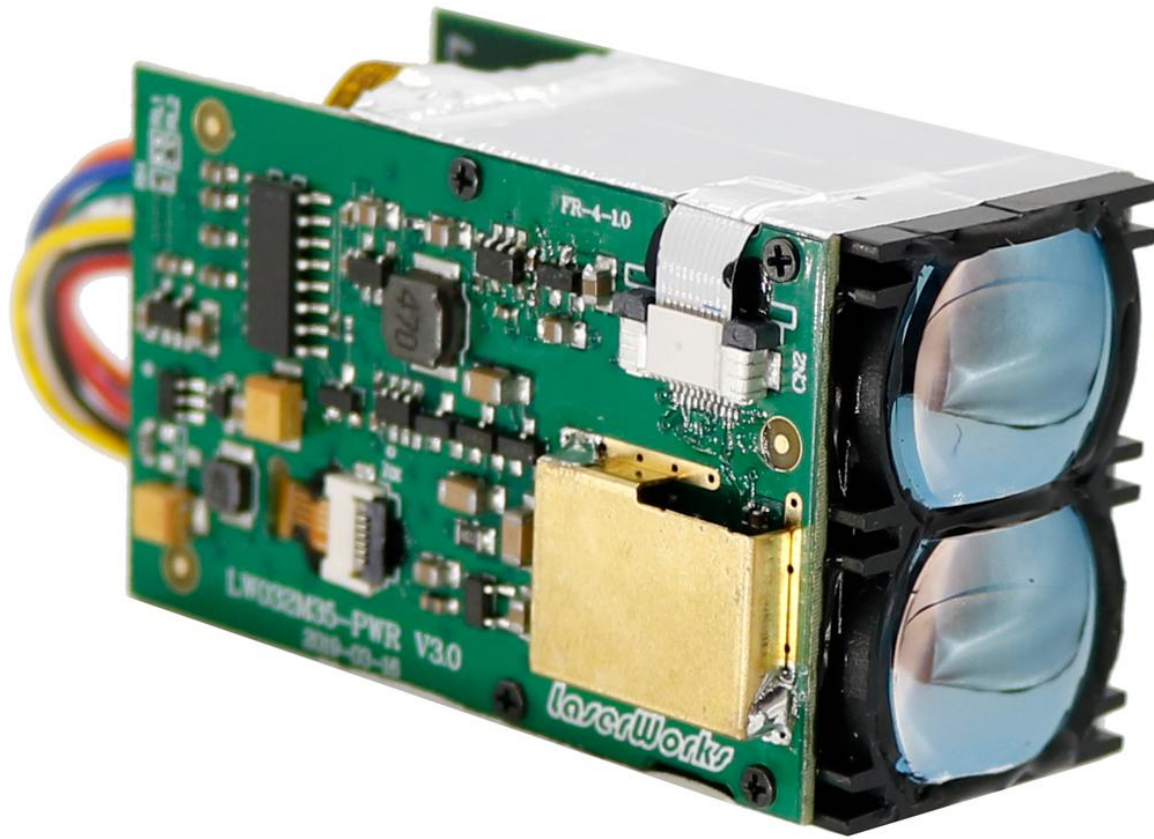
Tel:+86-13570832601

Email:sales@jioptics.com



JIOPTICS

www.jioptics.com



Tel:+86-13570832601

Email:sales@jioptics.com